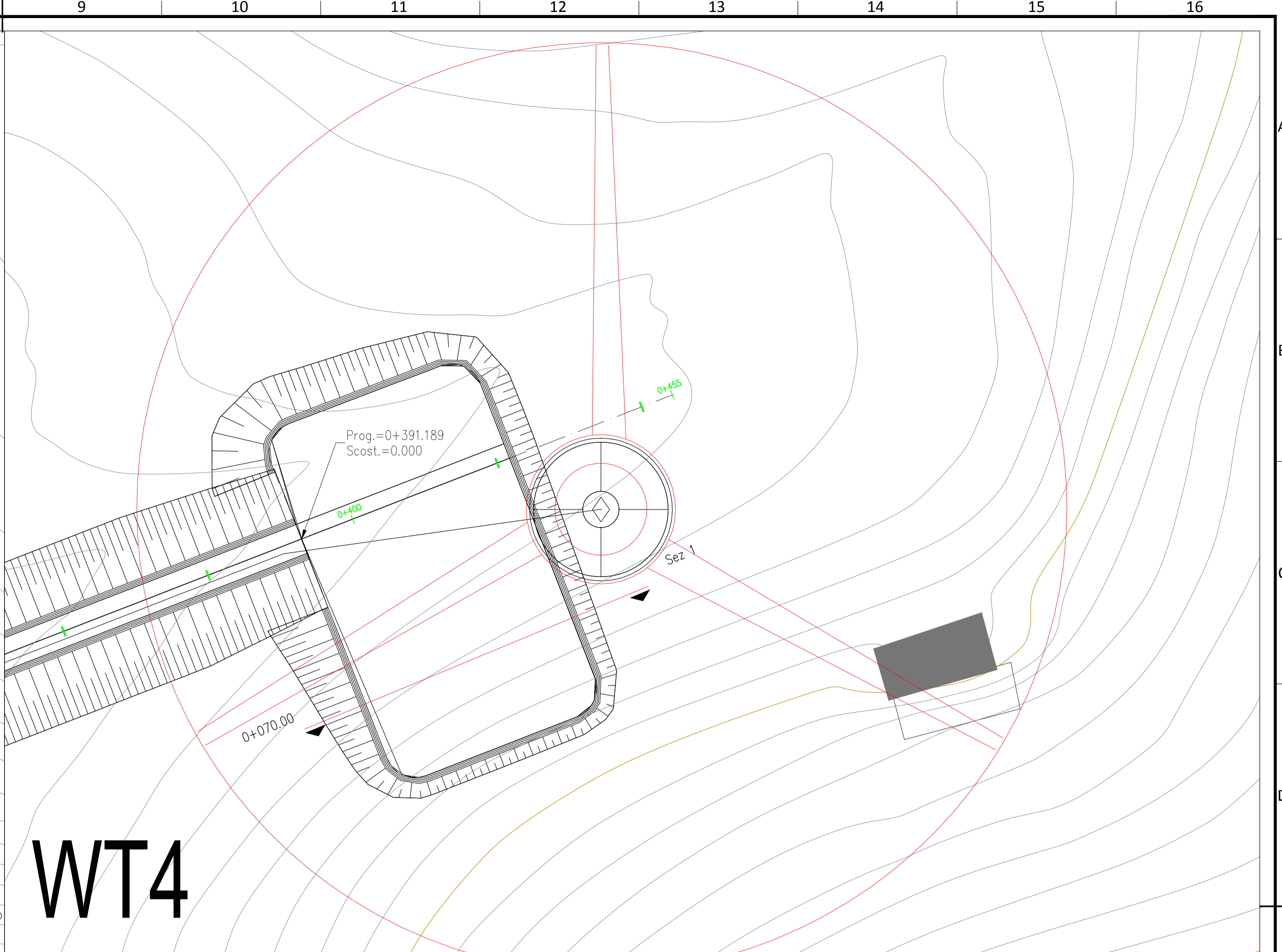


WT3



WT4

3-ST
1
Progr : 0+020.00
Scala : 500:500
Q.Rif. : 510.00

PROGRESSIVE TERRENO	516.56	516.60	516.49	516.16	516.15	515.71	515.62	515.05	514.99	514.08	514.04	513.40
QUOTE TERRENO	-30.00	-29.07	-20.48	-10.79	-8.10	-1.31	0.00	8.74	9.74	19.22	21.17	30.00
PROGRESSIVE PROGETTO			-17.65	-5.88	0.00	5.32	9.47	18.67				
QUOTE PROGETTO			-17.65	-5.88	0.00	5.32	9.47	18.67				

4-ST
1
Progr : 0+070.00
Scala : 500:500
Q.Rif. : 520.00

PROGRESSIVE TERRENO	525.24	525.25	526.98	526.99	527.05	527.44	527.41	527.82	527.85
QUOTE TERRENO	-36.00	-25.97	-2.71	9.06	13.64	21.43	29.05	30.00	
PROGRESSIVE PROGETTO		-16.65	-16.25	-13.96	-10.92	-7.77	-2.78	2.21	5.49
QUOTE PROGETTO		-16.65	-16.25	-13.96	-10.92	-7.77	-2.78	2.21	5.49



D					DATE	SCALE	1/500
C					10/18	DRAWN	F4
B					10/18	CHECKED	XXX
A	22/10/2018	XXX	XXX	XXX	10/18	REVISED-EDPR	XXX
EDIC.	DATE	DRAWN	CHECKED	REVISED-EDPR	MODIFICATION		
					Format A1		

Parco eolico "La Regina"

A.16.a.22.2 Sezioni significative piazzole definitive
Banzì (Pz)

F4 Ingegneria srl

CAD Vers.: I Page Vers.: X

Name collection: Page: XX

Collection Cont: xx

CAD N°: A.16.a.22.0_sezioni