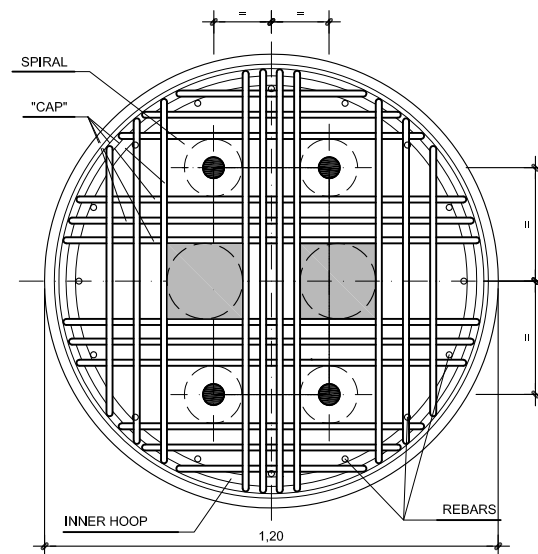
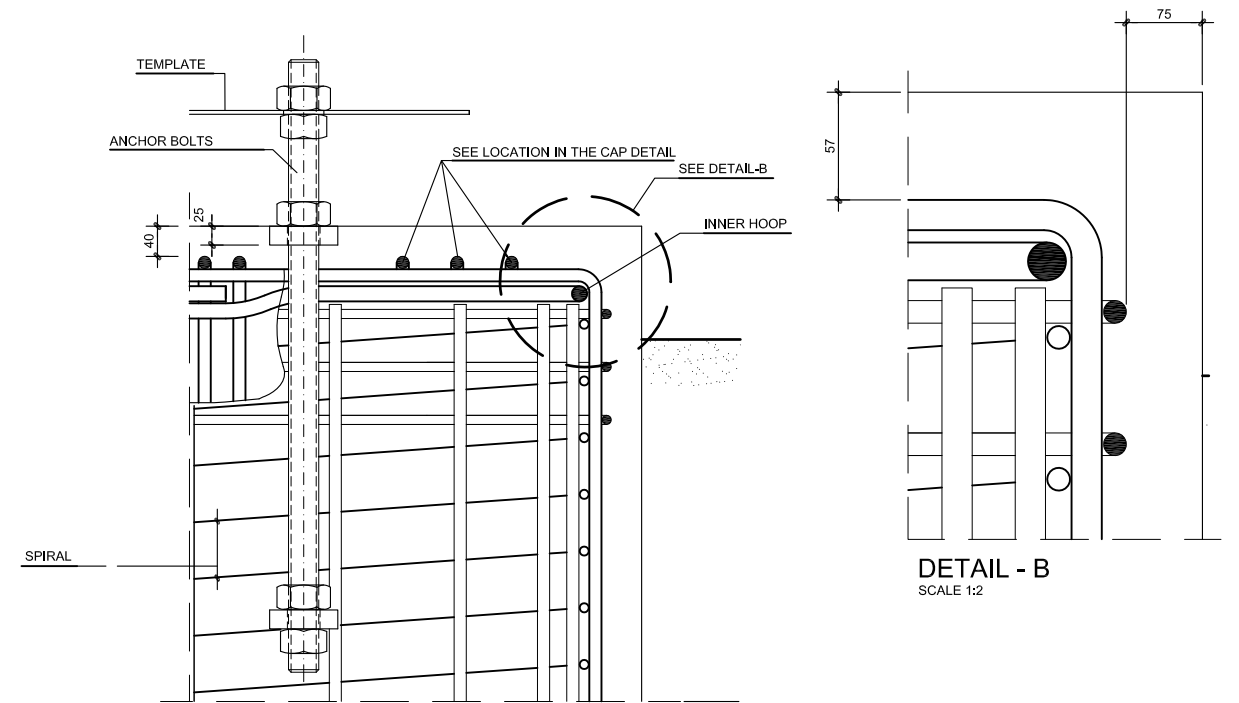


**ELEVATION  
CAISSON TYPE -2- (REGULAR) Ø1.20**  
SCALE 1:10

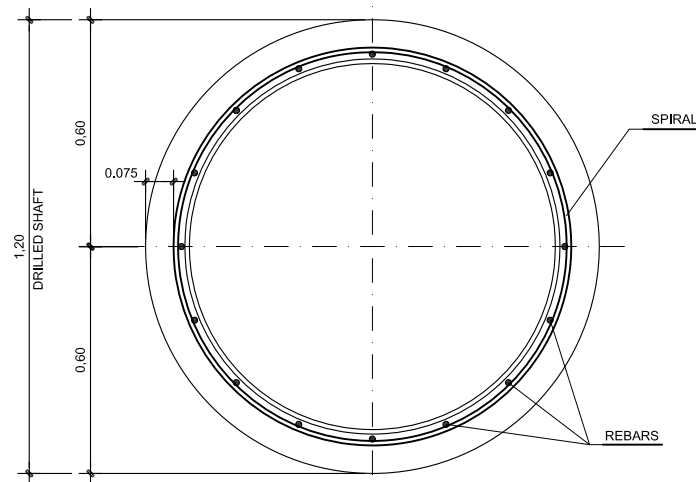
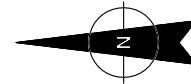


**CAP DETAIL. PLAN**  
SCALE 1:10



**DETAIL - A**  
SCALE 1:5

**DETAIL - B**  
SCALE 1:2



**SECTION A-A**  
SCALE 1:10

| MATERIALS     |                        |
|---------------|------------------------|
| CONCRETE      | C 25/30                |
| REINFORCEMENT | fy=500MPa              |
| ANCHOR BOLTS  | 8,8 (UNE-ISO-898-1)    |
| WASHER        | S355 JR (UNE-EN-10025) |
| NUTS          | GR.8 (UNE-ISO-898-6)   |

**CONCRETE COVER:**  
 - TO LATERAL SURFACE 75mm  
 - TO TOP OF CONCRETE 40mm

**CONCRETE CONSTRUCTION TOLERANCE NOTES:**

- MAXIMUM PERMISSIBLE VARIATION OF THE CENTERLINE OF CAISSONS SHALL BE  $\pm 40$ mm
- TOP OF CONCRETE ELEVATION SHALL NOT VARY MORE THAN  $\pm 10$ mm FROM THE ELEVATIONS NOTED ON THE CAISSON SCHEDULES

**ANCHOR BOLTS PLACEMENT TOLERANCE NOTES:**

- MAXIMUM TOLERANCES IN THE BOLT ALIGNMENT WILL BE:
  - $\pm 5$ mm WITH RESPECT TO THE PROJECTION OF THE BOLT
  - $\pm 7$ mm WITH RESPECT TO THE MIRRORS DESIGN ALIGNMENT CENTERLINE (NORTH-SOUTH) AND THE PYLON DESIGN CENTERLINE (EAST-WEST)
  - $\pm 3$ mm WITH RESPECT TO RELATIVE DISTANCE BETWEEN BOLTS

**NOTES.-**

- SEE TECH. SPECIFICATIONS
- PLASTIC COVER SPACERS SHALL BE PLACED ON VERTICAL REINFORCEMENT TO ENSURE CONCRETE COVER REQUERIMENTS
- ALL MATERIAL STUCK TO THE STEEL SHALL BE REMOVED FROM THE ANCHOR BOLTS. NO TRACE OF DIRT, WAX, OIL OR GREASE SHALL BE ALLOWED
- ANCHOR BOLT TEMPLATES SHALL REMAIN IN PLACE AT LEAST FOR THREE DAYS AFTER CONCRETE POURING
- ANCHOR BOLT TEMPLATES SHALL REMAIN IN PLACE AT LEAST FOR THREE DAYS AFTER CONCRETE POURING

| REV. | DESCRIPTION     | DATE     | DRAWN  | CHECKED | APPROVED |
|------|-----------------|----------|--------|---------|----------|
| B    | FOR INFORMATION | 21/08/14 | A.B.H. | J.R.L.  | P.A.Z.   |
| A    | FOR INFORMATION | 19/08/13 | ILL    | J.R.L.  | P.A.Z.   |

| REVISIONS                 |                       |   |  |             |       |
|---------------------------|-----------------------|---|--|-------------|-------|
| AUTHOR/OWNER:             |                       | ENGINEERING:  |  | CONTRACTOR: |       |
| SENER                     |                       | SENER   |  | SENER       |       |
| CAD FILE No:              |                       | PROJECT:  |  | CUSTOMER:   |       |
| CER-SRCA-PC-9001-02-Rev B |                       | FLUMINNI MANU CSP PROJECT   |  | -           |       |
| SCALE:                    |                       | DRAWING TITLE:  |  |             |       |
| 1:10                      |                       | SOLAR FIELD COLLECTORS PILE FOUNDATIONS<br>DETAILS<br>TYPE 2- REGULAR |  |             |       |
| REFERENCE:                |                       | DRAWING No:   |  |             |       |
| C227A10                   |                       | CER-SRCA-PC-9001  |  |             |       |
| ORIGINAL SIZE             | CONFIGURATION ELEMENT | SHEET: 02   |  |             | OF 03 |
| A1                        | -                     |   |  |             |       |

